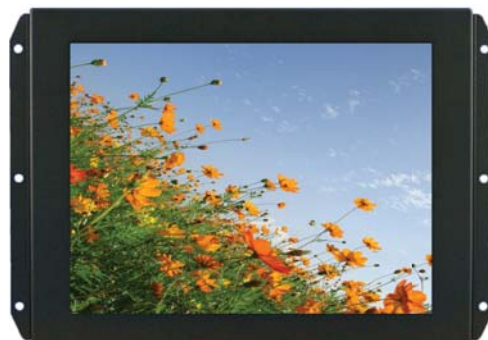


Metal Frame LCD Monitor

MB104

- 10.4" SVGA TFT LCD with resolution up to 800x600.
- Suitable for military, tablet, ruggedized PC, kiosk, advertising, POS, marine, transportation, gaming, gas pump.



SPECIFICATIONS

| Model Name | Display Resolution (pixel) | Display Color | Viewing Angle (CR \geq 10) (R/L/U/D) | Brightness (cd/m ²) | Contrast Ratio | Backlight Unit | Response Time (msec) |
|------------|----------------------------|---------------|--|---------------------------------|----------------|----------------|----------------------|
| MB104N1 | SVGA(800x600) | 262K / 16.2M | 70 / 70 / 55 / 65 | 400 | 500:1 | CCFL | 30 |
| MB104N2 | SVGA(800x600) | 262K / 16.2M | 80 / 80 / 60 / 80 | 400 | 700:1 | LED | 30 |
| MB104N3 | SVGA(800x600) | 262K / 16.2M | 70 / 70 / 55 / 65 | 230 | 500:1 | CCFL | 30 |
| MB104N5 | SVGA(800x600) | 262K | 60 / 60 / 55 / 65 | 350 | 400:1 | CCFL | 40 |
| MB104N6 | SVGA(800x600) | 262K / 16.2M | 80 / 80 / 60 / 70 | 230 | 500:1 | LED | 35 |

Note: Fanless: Brightness < 1000 cd/m² ;

Add fan: Brightness \geq 1000 cd/m²

ORDER INFORMATION

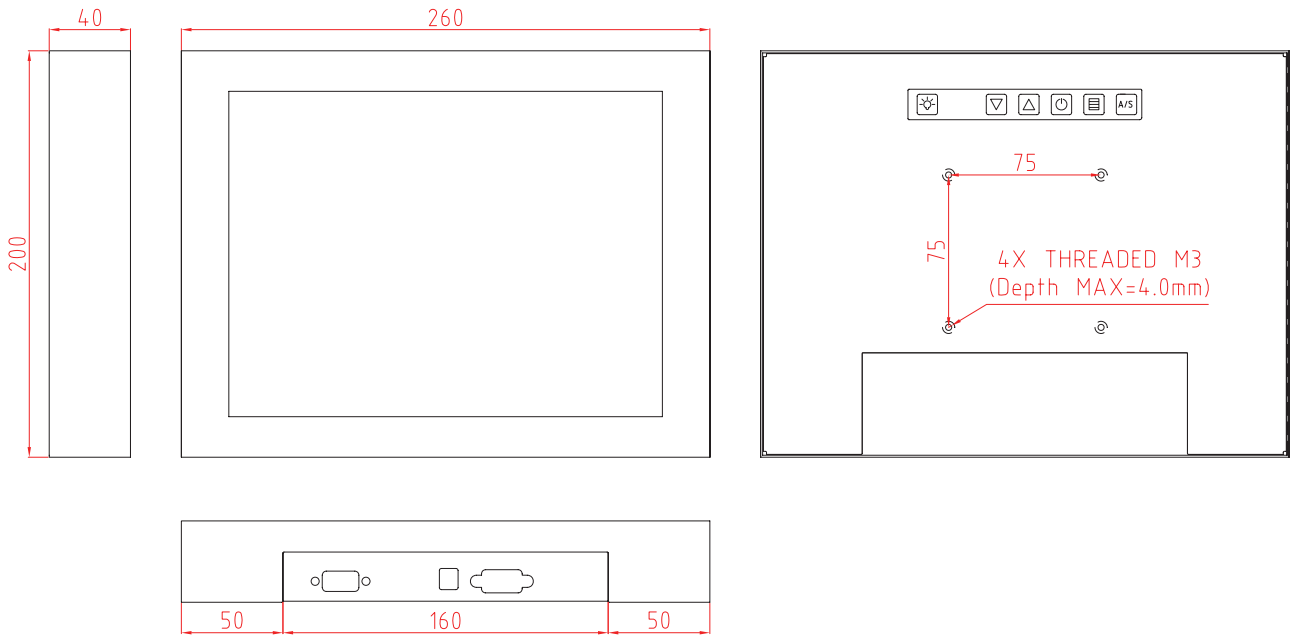
MB104XX - X X X X

① ② ③ ④ ⑤

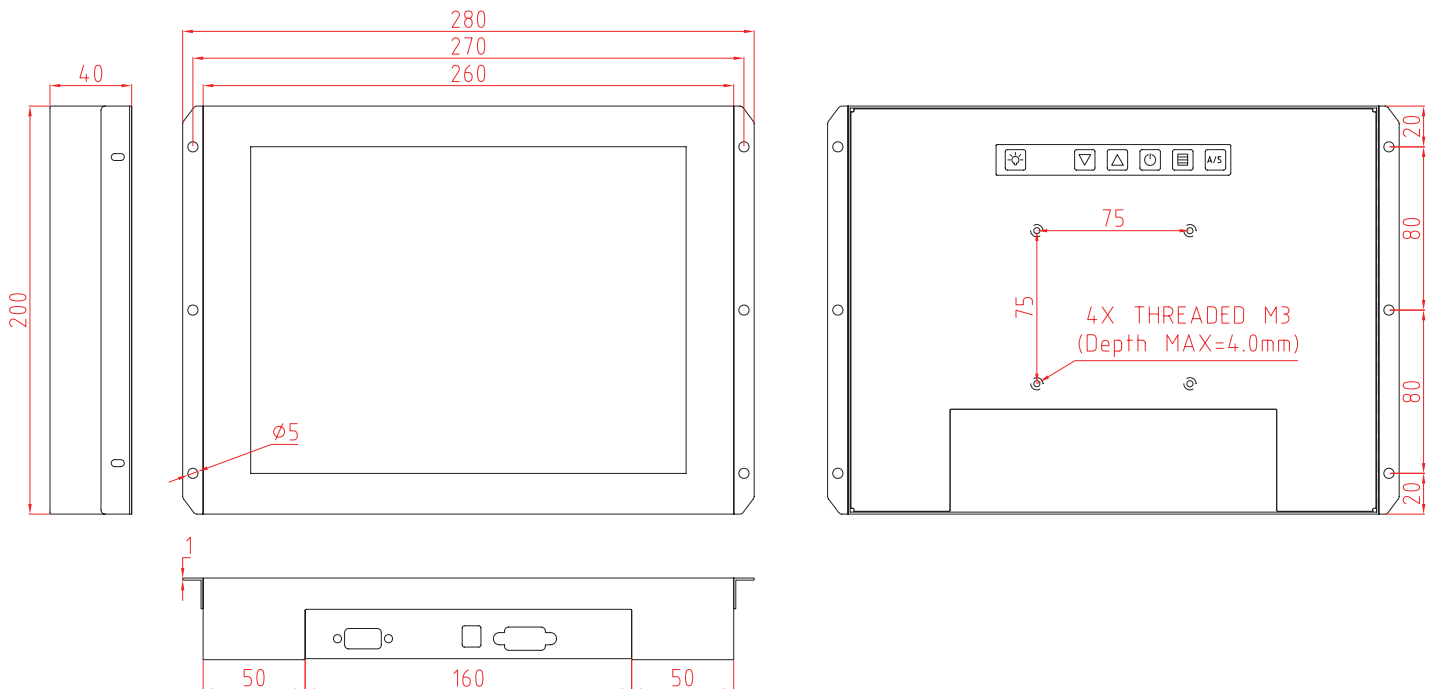
| | | | |
|--------------------|--|----------------|--|
| ① Model Name | | ④ Signal Input | C: VGA. |
| ② Mounting / Stand | N: No accessories. R: Bracket (Rear mount). | | D: VGA + DVI-D. E: VGA + DVI-D + Audio. |
| ③ Touch Screen | N: No Touch screen or glass. G: Glass. | ⑤ Other | J: VGA + DVI-I + Audio + HDMI. |
| | R: Resistive, RS232 interface. U: Resistive, USB interface. | | L: VGA + S-Video + CVBS. |

DIMENSIONS

Unit:mm



[with bracket]



ACCESSORIES

| | | | |
|---------------|-----------------------------------|---------------|--------------------------|
| Power Cord | | VGA Cable | |
| R003OF180G003 | Power Cord US Type L=1.8m | R003OH180G004 | DB15p, Male/Male, L=1.8m |
| R003OF180G004 | Power Cord German Type /2P L=1.8m | R003OH300G001 | DB15p, Male/Male, L=3.0m |
| R003OF180G005 | Power Cord UK Type /3P L=1.8m | R003OH500G001 | DB15p, Male/Male, L=5.0m |
| Adapter | | | |
| R007W05002512 | DC Adapter 12V 50W 4.16A | | |