

SG12232S (122 DOTS X 32 DOTS)

FEATURES

- ◆ BUILT-IN CONTROLLER (SED1520 OR EQUIVALENT)
- ◆ +5 V POWER SUPPLY
- ◆ 1/32 DUTY CYCLE
- ◆ 8-BIT PARALLEL INTERFACE

MECHANICAL DATA

ITEM	DIMENSIONS	UNIT
Module Size (W x H x T)	66.2 x 27.2 x 8.8	mm
Viewing Area (W x H)	60.5 x 18.5	mm
Active Area (W x H)	53.64 x 15.64	mm
Dot Size (W x H)	0.40 x 0.45	mm
Dot Pitch (W x H)	0.44 x 0.49	mm

INTERFACE PIN CONNECTIONS

NO.	SYMBOL	LEVEL	FUNCTION
1	Ao	H/L	Data Type Select Signal
2	E1	H,H→L	Chip Select Signal For IC1
3	E2	H,H→L	Chip Select Signal For IC2
4	NC	-	No Connection
5	NC	-	No Connection
6	R/W	H/L	H : Read / L : Write
7	Vss	0V	Power Supply Ground
8~15	DB0~DB7	H/L	Data Bus Line
16	VDD	5V	Power Supply Voltage
17	/RES	L	Register Select
18	Vo	-	Contrast Adjustment Voltage
19	A	4.2V	LED Power Supply (+)
20	K	0V	LED Power Supply (-)

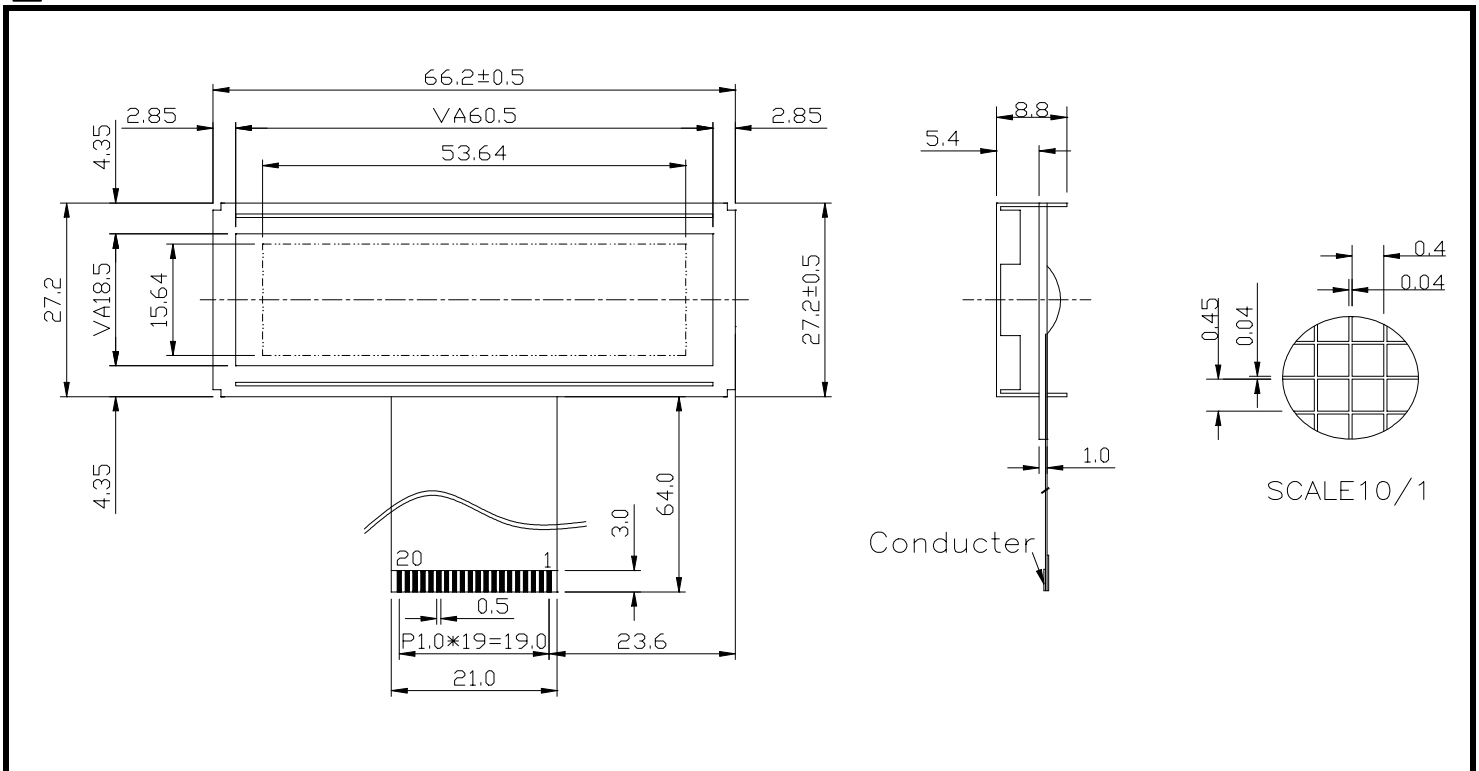
ABSOLUTE MAXIMUM RATINGS

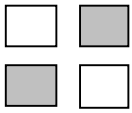
ITEM	SYMBOL	MIN.	TYP.	MAX.	UNIT
Supply Voltage For Logic	V _{DD} -V _{SS}	0	-	7	V
Supply Voltage For LCD Drive	V _{DD} -V _o	0	-	12	V
Input Voltage	V _I	V _{SS}	-	V _{DD}	V

ELECTRICAL CHARACTERISTICS

ITEM	SYMBOL	CONDITION	MIN.	TYP.	MAX.	UNIT	
Supply Voltage For Logic	V _{DD} -V _{SS}	-	4.5	5	5.5	V	
Supply Voltage For LCD	V _{DD} -V _o	V _{DD} =5V Ta=25°C	4.4	4.8	5.2	V	
Supply Current	I _{DD}	V _{DD} =5V	-	2.5	4.5	mA	
Input Voltage	"HIGH" Level	V _{IH}	-	2.2	-	V _{DD}	V
	"LOW" Level	V _{IL}	-	-	-	0.6	V
Output Voltage	"HIGH" Level	V _{OH}	-	2.4	-	V	V
	"LOW" Level	V _{OL}	-	-	-	0.4	V

EXTERNAL DIMENSIONS

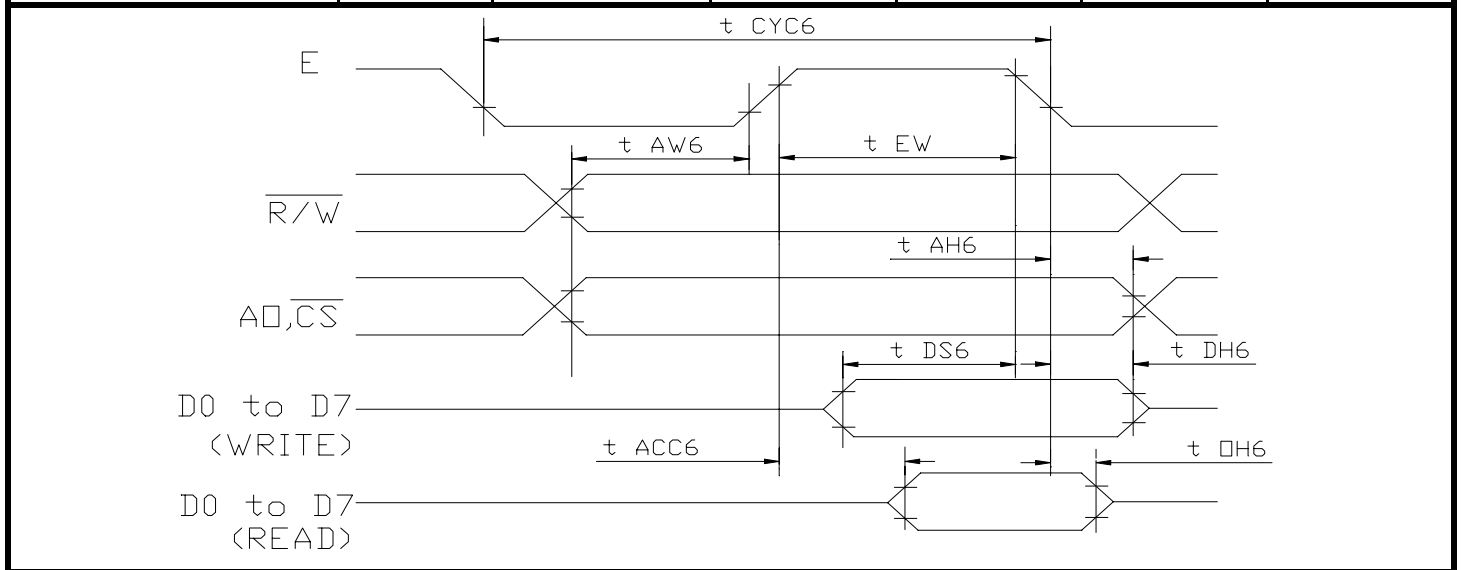




SG12232S (122 DOTS X 32 DOTS)

■ TIMING CHARACTERISTICS

ITEM	SYMBOL	MIN.	TYP.	MAX.	UNIT.
System Cycle Time	t_{CYC6}	1000	-	-	ns
Address Set-up Time	t_{AW6}	20	-	-	ns
Address Hold Time	t_{AH6}	10	-	-	ns
Data Set-up Time	t_{DS6}	80	-	-	ns
Data Hold Time	t_{DH6}	10	-	-	ns
Output Disable Time	t_{OH6}	10	-	60	ns
Access Time	t_{ACC6}	-	-	90	ns
Enable Pulse Width	Read	100	-	-	ns
	Write	80	-	-	ns



■ BLOCK DIAGRAM

