

SG12864M (128 DOTS X 64 DOTS)

FEATURES

- ◆ BUILT-IN CONTROLLER (KS0107 OR EQUIVALENT)
- ◆ +5 V POWER SUPPLY
- ◆ 1/64 DUTY CYCLE
- ◆ 8-BIT PARALLEL INTERFACE

MECHANICAL DATA

ITEM	DIMENSIONS	UNIT
Module Size (W x H x T)	84.4 x 66.0 x 8.8 (LED12.7)	mm
Viewing Area (W x H)	72.0 x 40.0	mm
Active Area (W x H)	66.52 x 33.24	mm
Dot Size (W x H)	0.48 x 0.48	mm
Dot Pitch (W x H)	0.52 x 0.52	mm

INTERFACE PIN CONNECTIONS

NO.	SYMBOL	LEVEL	FUNCTION
1	Vss	0V	Power Supply Ground
2	VDD	5V	Power Supply Voltage
3	Vo	-	Contrast Adjustment Voltage
4	D/I	H/L	L : Data, H : Instruction Code
5	R/W	H/L	H : Read / L : Write
6	E	H→L	Enable Signal
7-14	DB0-DB7	H/L	Data Bus Line
15	CS1	H	Chip Select Signal For IC1
16	CS2	H	Chip Select Signal For IC2
17	/RES	L	Reset Signal
18	Vout	-	Power Supply Voltage For LCD
19	A	4.2V	LED Power (+)
20	K	0V	LED Power (-)

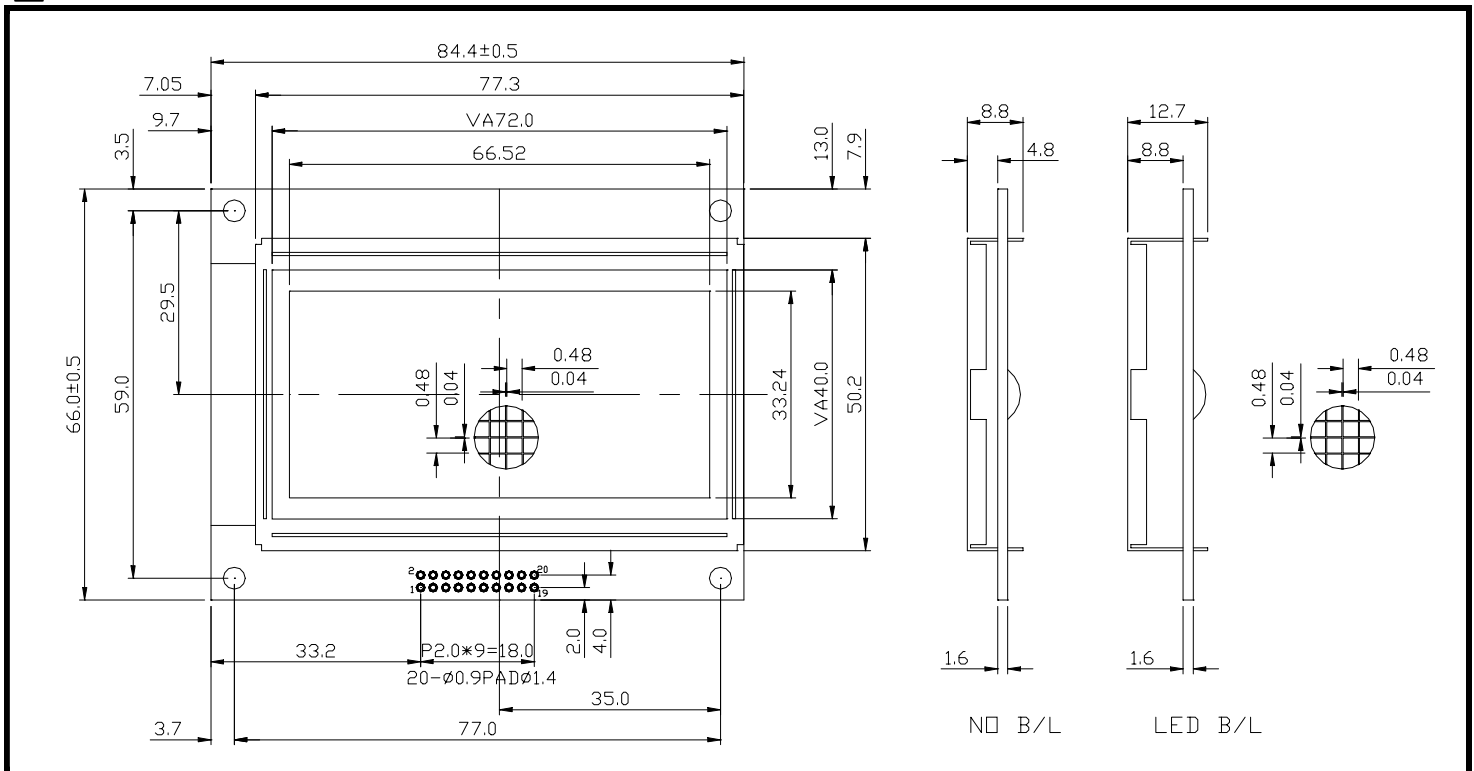
ABSOLUTE MAXIMUM RATINGS

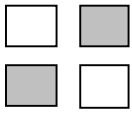
ITEM	SYMBOL	MIN.	TYP.	MAX.	UNIT
Supply Voltage For Logic	VDD-Vss	0	-	7	V
Supply Voltage For LCD Drive	VDD-Vo	0	-	14	V
Input Voltage	Vi	Vss	-	VDD	V

ELECTRICAL CHARACTERISTICS

ITEM	SYMBOL	CONDITION	MIN.	TYP.	MAX.	UNIT	
Supply Voltage For Logic	VDD-Vss	-	4.5	5	5.5	V	
Supply Voltage For LCD	VDD-Vo	VDD=5V Ta=25°C	7.6	8.3	9.2	V	
Supply Current	IDD	VDD=5V	-	4.5	10	mA	
Input Voltage	"HIGH" Level	V _{IH}	-	2.2	-	VDD	V
	"LOW" Level	V _{IL}	-	-	-	0.6	V
Output Voltage	"HIGH" Level	V _{OH}	-	2.4	-	-	V
	"LOW" Level	V _{OL}	-	-	-	0.4	V

EXTERNAL DIMENSIONS





SG12864M (128 DOTS X 64 DOTS)

TIMING CHARACTERISTICS

ITEM	SYMBOL	MIN.	TYP.	MAX.	UNIT.	FIG
E Cycle Time	t_{CYC}	1000	-	-	ns	1,2
E High Level Width	P_{WEH}	450	-	-	ns	1,2
E Low Level Width	P_{WEL}	450	-	-	ns	1,2
E Rise Time	t_r	-	-	25	ns	1,2
E Fall Time	t_f	-	-	25	ns	1,2
Address Setup Time	t_{AS}	140	-	-	ns	1,2
Address Hold Time	t_{AH}	10	-	-	ns	1,2
Data Setup Time	t_{DSW}	200	-	-	ns	1
Data Delay Time	t_{DDR}	-	-	320	ns	2
Data Hold Time	Write	t_{DHW}	10	-	ns	1
Data Hold Time	Read	t_{DHR}	20	-	ns	2

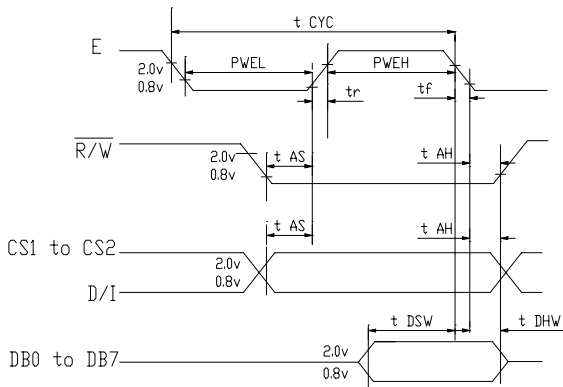


Fig1:CPU Write Timing

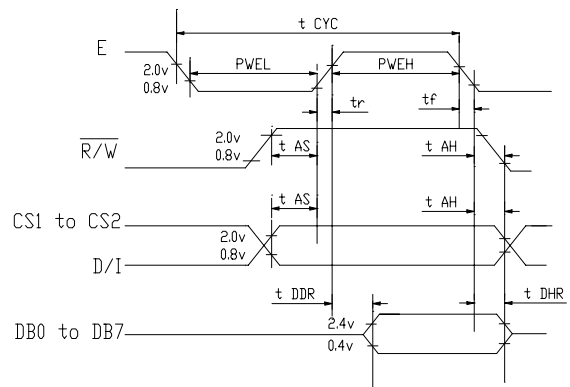


Fig2:CPU Read Timing

BLOCK DIAGRAM

