

SG12864T (128 DOTS X 64 DOTS)

FEATURES

- ◆ NO BUILT- IN CONTROLLER
- ◆ 2.7~5.5V POWER SUPPLY
- ◆ 1/64 DUTY CYCLE
- ◆ 1or 4 BIT PARALLEL INTERFACE

MECHANICAL DATA

ITEM	DIMENSIONS	UNIT
Module Size (W x H x T)	75.2 x 52.5 x 7.9 (9.2 LED)	mm
Viewing Area (W x H)	60.0 x 32.5	mm
Active Area (W x H)	55.01 x 27.49	mm
Dot Size (W x H)	0.40 x 0.40	mm
Dot Pitch (W x H)	0.43 x 0.43	mm

INTERFACE PIN CONNECTIONS

NO.	SYMBOL	LEVEL	FUNCTION
1	FGND	-	Frame Ground
2	Vss	0V	Power Supply Ground
3	VDD	5V	Power Supply Voltage
4	VEE	-	Negative Power Supply for LCD Driver
5	Vss	0V	Power Supply Ground
6	/DISPOFF	H/L	Display OFF.Active LOW
7~10	DB0~DB3	H/L	Data Bus Line
11	AMP-S.D	-	4bit/1bit interface select
12	Vss	0V	Power Supply Ground
13	FLM	H	First Line Marker
14	M	H/L	Control Signal For AC Driving
15	CL1	H→L	Common Driver Data Shift Signal
16	CL2	H→L	Clock Pulse For Segment Shift Register
17	Vss	0V	Power Supply Ground
18	FGND	-	Frame Ground
18	A	4.2V	LED Power(+)
20	K	0V	LED Power(-)

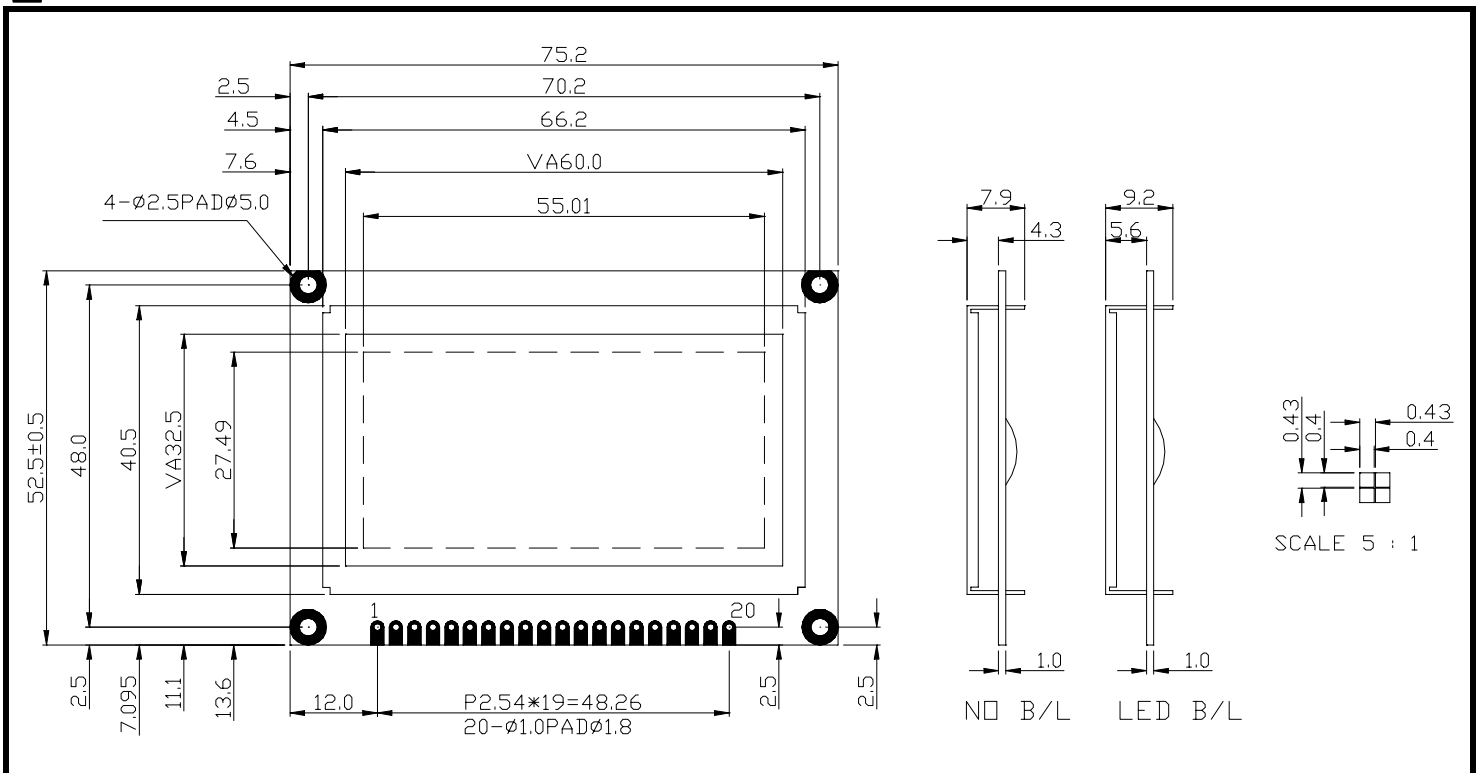
ABSOLUTE MAXIMUM RATINGS

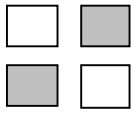
ITEM	SYMBOL	MIN.	TYP.	MAX.	UNIT
Supply Voltage For Logic	VDD-Vss	0	-	7	V
Supply Voltage For LCD Drive	VDD-Vo	0	-	18	V
Input Voltage	V _I	V _{SS}	-	V _{DD}	V

ELECTRICAL CHARACTERISTICS

ITEM	SYMBOL	CONDITION	MIN.	TYP.	MAX.	UNIT	
Supply Voltage For Logic	VDD-Vss	-	4.5	5	5.5	V	
Supply Voltage For LCD	VDD-Vo	VDD=5V Ta=25°C	10.2	10.5	12.2	V	
Supply Current	I _{DD}	VDD=5V	-	6.2	10	mA	
Input Voltage	"HIGH" Level	V _{IH}	-	2.2	-	VDD	V
	"LOW" Level	V _{IL}	-	-	-	0.6	V
Output Voltage	"HIGH" Level	V _{OH}	-	2.4	-	-	V
	"LOW" Level	V _{OL}	-	-	-	0.4	V

EXTERNAL DIMENSIONS

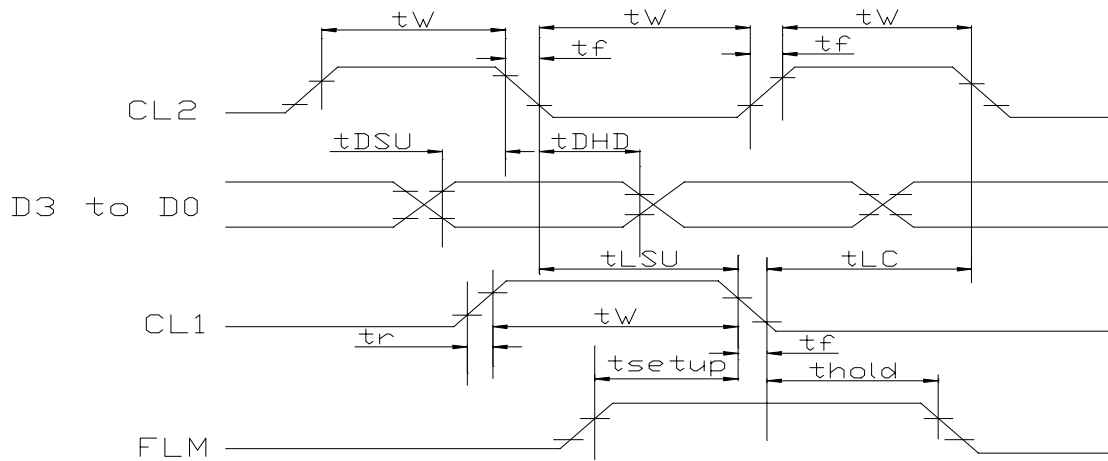




SG12864T (128 DOTS X 64 DOTS)

■ TIMING CHARACTERISTICS

ITEM	SYMBOL	MIN.	TYP.	MAX.	UNIT.
Frequency Of Maximum Clock	f_{CP}	-	-	8	MHZ
CL1, CL2, Pulse Width	t_w	45	-	-	ns
Rise, Fall Time	t_r, t_f	-	-	15	ns
Data Setup Time	t_{DSU}	20	-	-	ns
Data Hold Time	t_{DHD}	20	-	-	ns
CL1 Setup Time	t_{LSU}	80	-	-	ns
CL1→ CL2 Time	t_{LC}	80	-	-	ns
FLM Setup Time	t_{setup}	100	-	-	ns
FLM Hold Time	t_{hold}	100	-	-	ns
M Delay Time	t_{DF}	-	-	300	ns



■ BLOCK DIAGRAM

