

SG160160C (160 DOTS X160 DOTS)

FEATURES

- ◆ NO BUILT-IN CONTROLLER
- ◆ 2.7~5.5V POWER SUPPLY
- ◆ 1/160 DUTY CYCLE
- ◆ 8-BIT PARALLEL INTERFACE

INTERFACE PIN CONNECTIONS

NO.	SYMBOL	LEVEL	FUNCTION
1	Vss	0V	Power Supply Ground
2	M	H/L	Control Signal For AC Driving
3	FLM	H	Frame Start Signal
4	CL1	H→L	Common Driver Data Shift Signal
5	CL2	H→L	Clock Pulse For Segment Shift Register
6~9	DB3~DB0	H/L	Data Bus Line
10	VEE	-	Power Supply Voltage For LCD
11	VDD	5V	Power Supply Voltage
12	Vo	-	Contrast Adjustment Voltage
13	/DISPOFF	H/L	Display OFF . Active LOW .
14	K	0V	LED Power Supply (-)
15	A	4.2V	LED Power Supply (+)

MECHANICAL DATA

ITEM	DIMENSIONS	UNIT
Module Size (W x H x T)	89.2 x 85.0 x 10.0(LED14.6)	mm
Viewing Area (W x H)	62.0 x 62.0	mm
Active Area (W x H)	60.76 x 60.76	mm
Dot Size (W x H)	0.34 x 0.34	mm
Dot Pitch (W x H)	0.38 x 0.38	mm

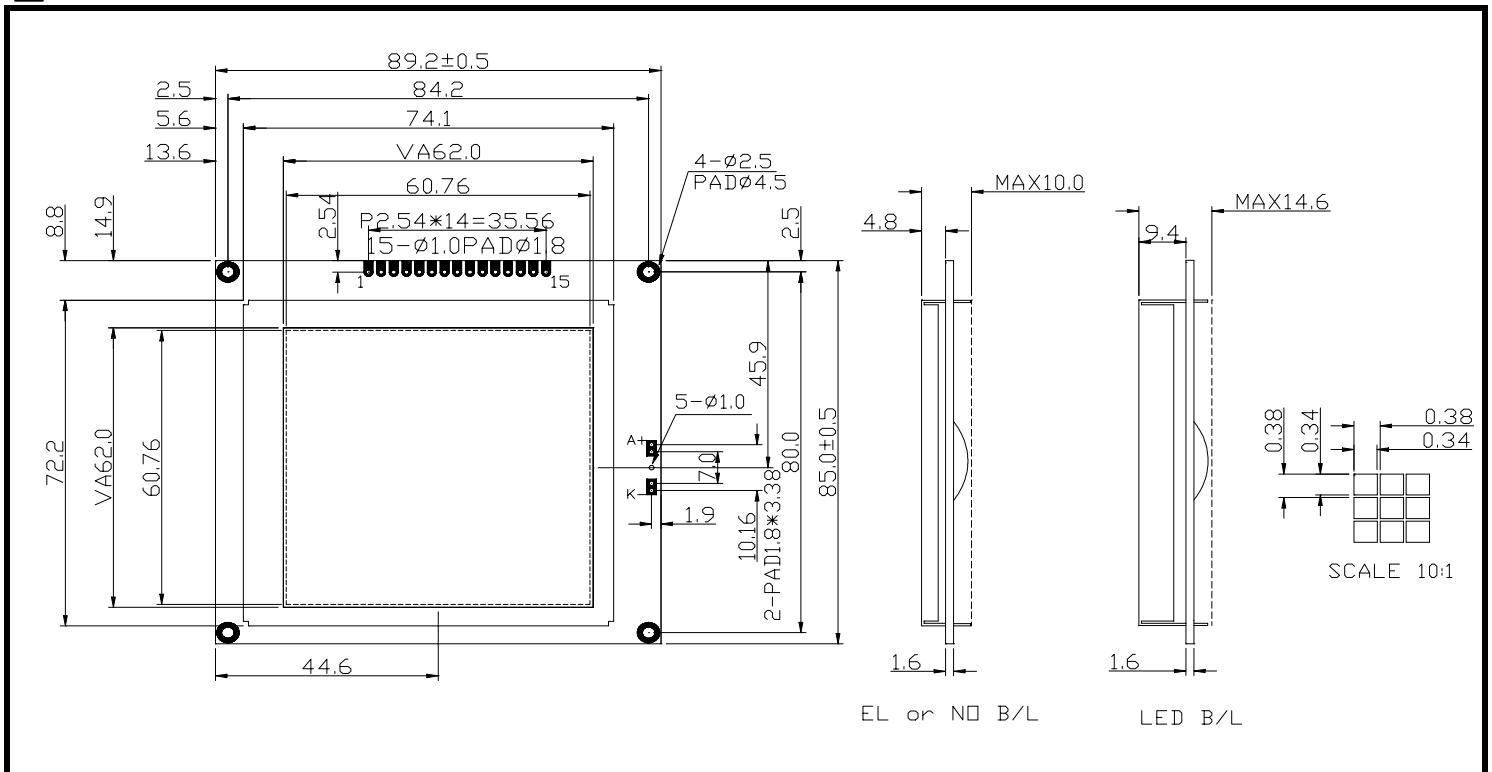
ABSOLUTE MAXIMUM RATINGS

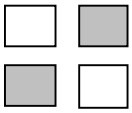
ITEM	SYMBOL	MIN.	TYP.	MAX.	UNIT
Supply Voltage For Logic	VDD-Vss	0	-	7	V
Supply Voltage For LCD Drive	VDD-Vo	0	-	21	V
Input Voltage	Vi	Vss	-	VDD	V

ELECTRICAL CHARACTERISTICS

ITEM	SYMBOL	CONDITION	MIN.	TYP.	MAX.	UNIT	
Supply Voltage For Logic	VDD-Vss	-	2.7	5	5.5	V	
LCD Supply Voltage	VDD-Vo	VDD=5V Ta=25°C	17.4	18	24.3	V	
Supply Current	IDD	VDD=5V	-	14	23	mA	
Input Voltage	"HIGH" Level	V _{IH}	-	2.2	-	VDD	V
	"LOW" Level	V _{IL}	-	-	-	0.6	V
Output Voltage	"HIGH" Level	V _{OH}	-	2.4	-	-	V
	"LOW" Level	V _{OL}	-	-	-	0.4	V

EXTERNAL DIMENSIONS

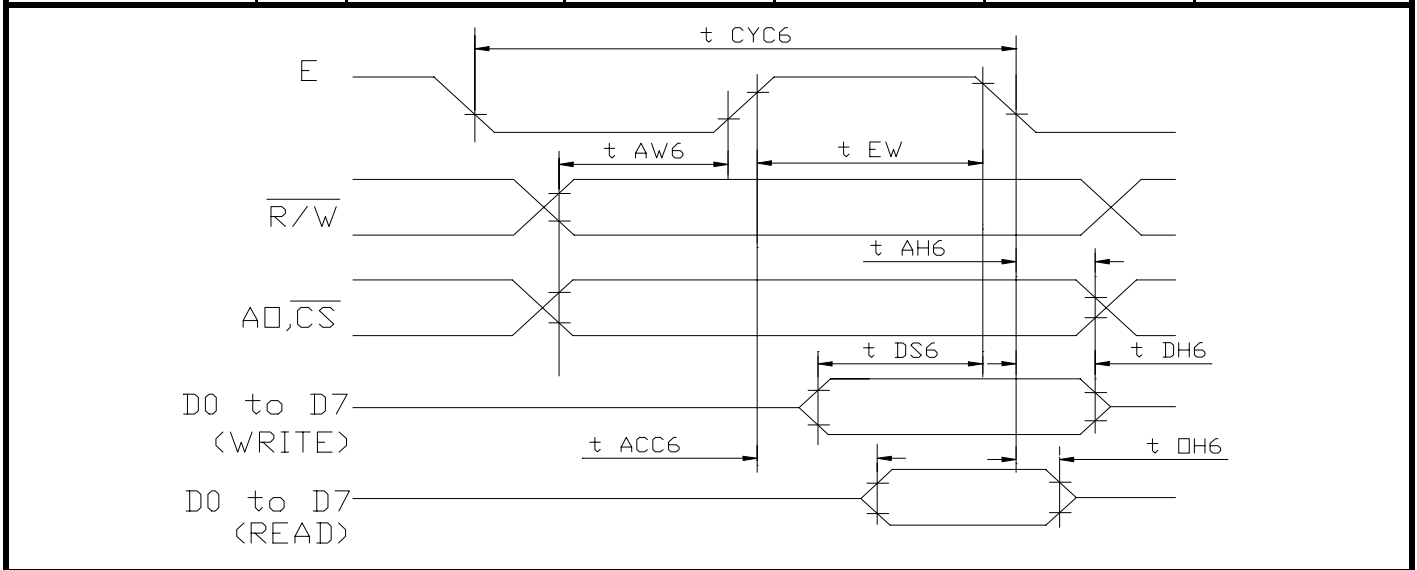




SG160160C (160 DOTS X 160 DOTS)

■ TIMING CHARACTERISTICS

ITEM	SYMBOL	MIN.	TYP.	MAX.	UNIT.
System Cycle Time	t _{CYC}	425	-	-	ns
Address Set-up Time	t _{AW}	30	-	-	ns
Address Hold Time	t _{AH}	10	-	-	ns
Data Set-up Time	t _{DS}	120	-	-	ns
Data Hold Time	t _{DH}	10	-	-	ns
Output Disable Time	t _{OH}	10	-	50	ns
Access Time	t _{ACC}	-	-	120	ns
Enable Pulse Width	Read	t _{EW}	-	-	ns
	Write				



■ BLOCK DIAGRAM

