

SH12864A (128 DOTS X 64 DOTS)

FEATURES

- ◆ BUILT-IN CONTROLLER (ST7565 OR EQUIVALENT)
- ◆ +3.3V POWER SUPPLY
- ◆ 1/64 DUTY CYCLE
- ◆ 8-BIT PARALLEL INTERFACE

MECHANICAL DATA

ITEM	DIMENSIONS	UNIT
Module Size (W x H x T)	80.0 x 54.0 x 9.7	mm
Viewing Area (W x H)	70.7 x 38.8	mm
Active Area (W x H)	66.52 x 33.24	mm
Dot Size (W x H)	0.48 x 0.48	mm
Dot Pitch (W x H)	0.54 x 0.54	mm

INTERFACE PIN CONNECTIONS

NO.	SYMBOL	LEVEL	FUNCTION
1	V _{SS}	0V	Power Supply Ground
2	V _{DD}	3.3V	Power Supply Voltage
3	NC	-	No Connection.
4	/RES	H/L	Reset Signal
5	/CS	L	Chip Signal
6	RS	H/L	Data Type select signal
7	/WR	L	Write Signal
8	/RD	L	Read Signal
9~16	DB0-DB7	H/L	Data Bus Line
17	A	3.3V	LED Power(+)
18	K	0V	LED Power(-)

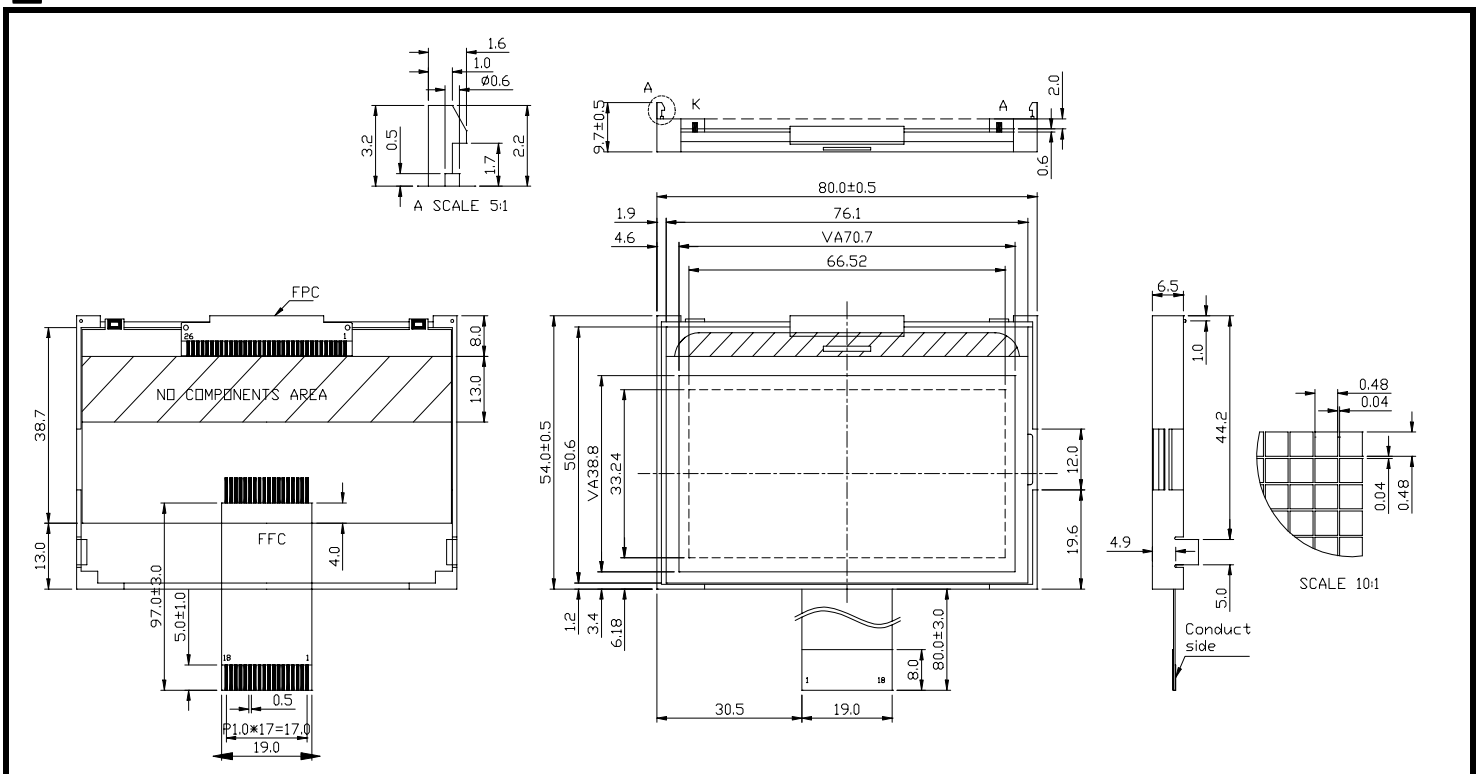
ABSOLUTE MAXIMUM RATINGS

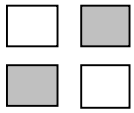
ITEM	SYMBOL	MIN.	TYP.	MAX.	UNIT
Supply Voltage For Logic	V _{DD} -V _{SS}	0	-	7	V
Supply Voltage For LCD Drive	V _{DD} -V _o	0	-	30	V
Input Voltage	V _I	V _{SS}	-	V _{DD}	V

ELECTRICAL CHARACTERISTICS

ITEM	SYMBOL	CONDITION	MIN.	TYP.	MAX.	UNIT	
Supply Voltage For Logic	V _{DD} -V _{SS}	-	2.7	3.3	4.5	V	
LCD Supply Voltage	V _{DD} -V _o	V _{DD} =3.3V Ta=25°C	9.6	10.2	11.2	V	
Supply Current	I _{DD}	V _{DD} =3.3V	-	2.4	3.5	mA	
Input Voltage	"HIGH" Level	V _{IH}	-	2.2	-	V _{DD}	V
	"LOW" Level	V _{IL}	-	-	-	0.6	V
Output Voltage	"HIGH" Level	V _{OH}	-	2.4	-	V	V
	"LOW" Level	V _{OL}	-	-	-	0.4	V

EXTERNAL DIMENSIONS

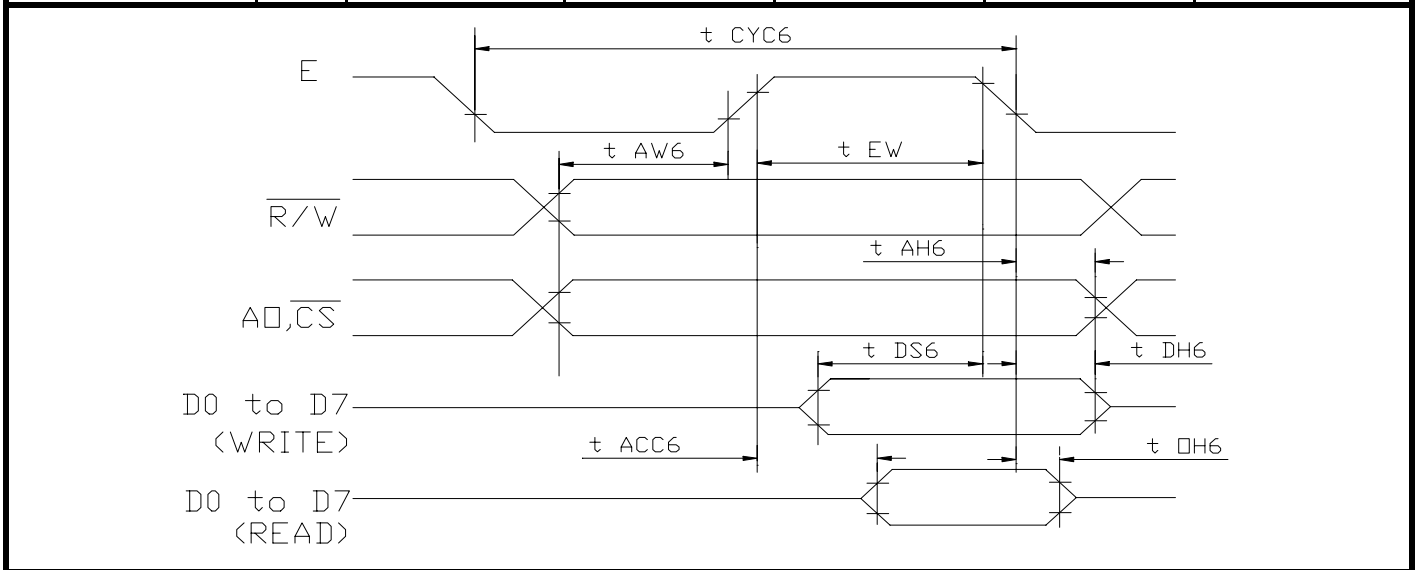




SH12864A (128 DOTS X 64 DOTS)

■ TIMING CHARACTERISTICS

ITEM	SYMBOL	MIN.	TYP.	MAX.	UNIT.
System Cycle Time	t_{CYC}	425	-	-	ns
Address Set-up Time	t_{AW}	30	-	-	ns
Address Hold Time	t_{AH}	10	-	-	ns
Data Set-up Time	t_{DS}	120	-	-	ns
Data Hold Time	t_{DH}	10	-	-	ns
Output Disable Time	t_{OH}	10	-	50	ns
Access Time	t_{ACC}	-	-	120	ns
Enable Pulse Width	Read	t_{EW}	-	-	ns
	Write				ns



■ BLOCK DIAGRAM

