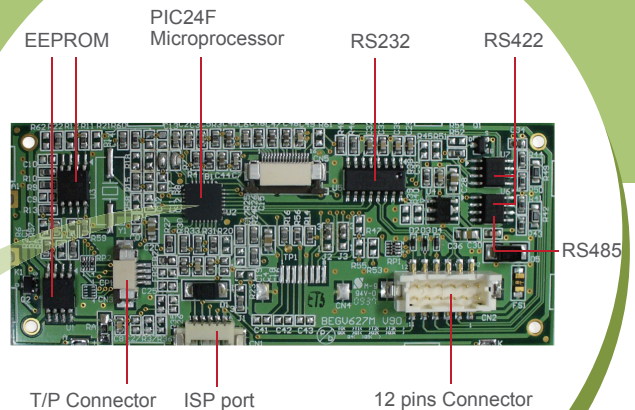
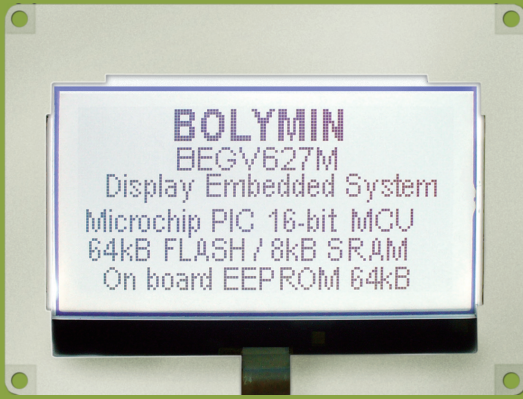


# BEGV627M

## µp Display Embedded System



Your 64KB application software here!

### Features

- High performance, Low power PIC 16-bit microprocessor
- Built-in 64KB ISP Flash memory / 8KB SRAM
- On board updateable 64KB EEPROM (128KB option)
- 1 x RS485 / 422 / 232, 1 x RS232
- Current consumption 180mA
- On-chip power-on reset (POR) and programmable watchdog reset
- 128 x 64 monochrome STN LCD
- Comprehensive set of development tools and application notes for self programming
- RS485 / 422 / 232 driver, I<sup>2</sup>C EEPROM driver, touch panel driver, LCM driver and utility are supported
- Dimension (W x H x D): 93 x 70 x 15mm

### Hardware Specifications

#### Processor

- Microchop PIC24FJ64GA002 16-bit microprocessor

#### Memory

- 64KB in-system programmable flash
- 8KB internal SRAM
- 64KB x 1 external I<sup>2</sup>C CMOS EEPROM (option: 64KBx2)

#### Display Interface

- Support I<sup>2</sup>C 128 x 64 monochrome STN LCD (edge LED white backlight)

#### Certifications

- CE Class B (NO.CB10101101)

#### RS232 / 422 / 485 Port

- Support dual serial port, one is three-wired RS232, another is shared in among RS232/422/485 port by option

#### Touch Panel Interface

- Support four-wired resistive touch panel interface

#### Software Utilities

- Support RS232 / 422 / 485 driver, I<sup>2</sup>C EEPROM driver, touch panel driver, and LCM driver for free

#### DC Requirement

- DC4.5V~5.5V

