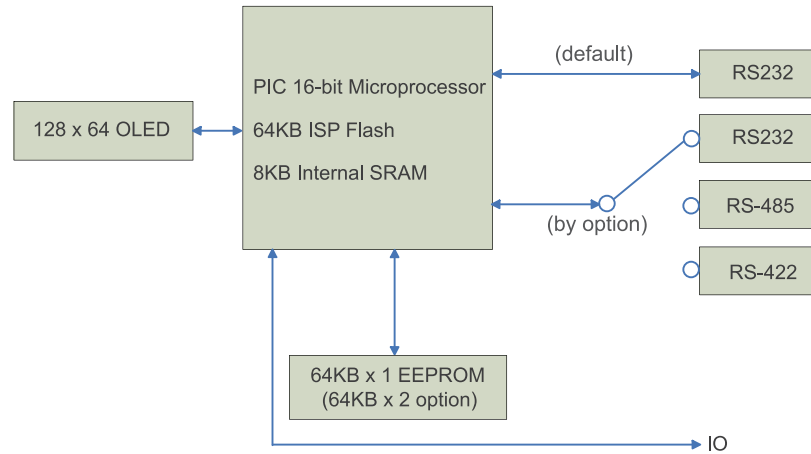


**Packing List**

- BEGV629M Embedded System
- User Manual
- Software Utility Disc
- ICD 3 and ISP Cable (option)

**BEGV629M BLOCK DIAGRAM**



**Pin Mapping Table**

PIN NO.	Signal	PIN NO.	Signal
1	VDD	7	422TP/485P/TX1
2	GND	8	IOA
3	422RP	9	422TN/485N/RX1
4	TX0	10	IOB
5	422RN	11	/RST
6	RX0	12	IOC

**Order Information**

Parts NO.	Description	RS232-A	RS232-B	RS422	RS485
BEGV629M	Dual RS232	☆	☆		
BEGV629M1	One RS232	☆			
BEGV629M2	One RS232/One RS422	☆		☆	
BEGV629M3	One RS232/One RS485	☆			☆

