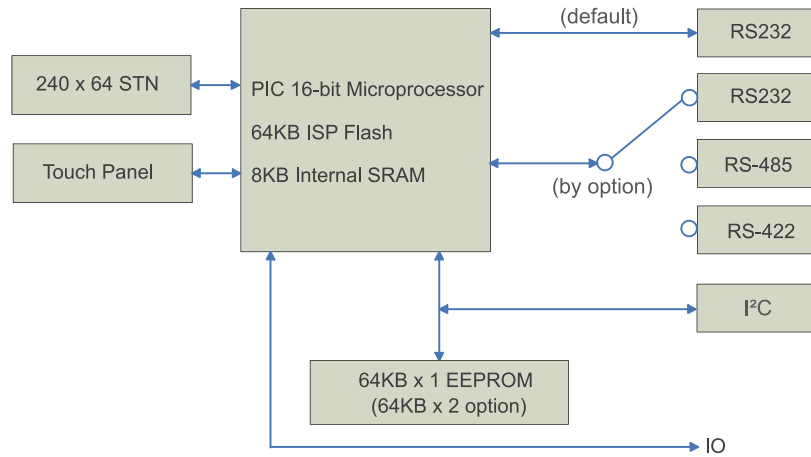


Packing List

- BEGV639M Embedded System
- User Manual
- Software Utility Disc
- ICD 3 and ISP Cable (option)

BEGV639M BLOCK DIAGRAM



Pin Mapping Table

PIN NO.	Signal	PIN NO.	Signal
1	GND	10	IOA
2	TX0	11	422TP/485P/TX1
3	VDD	12	IOB
4	RX0	13	422TN/485N/RX1
5	VADJ	14	IOC
6	SCL	15	422RP
7	Vout	16	A
8	SDA	17	422RN
9	/Reset	18	K

Order Information

Parts NO.	Description	RS232-A	RS232-B	RS422	RS485
BEGV639M	Dual RS232	☆	☆		
BEGV639M1	One RS232	☆			
BEGV639M2	One RS232/One RS422	☆		☆	
BEGV639M3	One RS232/One RS485	☆			☆

Display: FSTN/Gray LCD,LED/White Backlight(Default)

